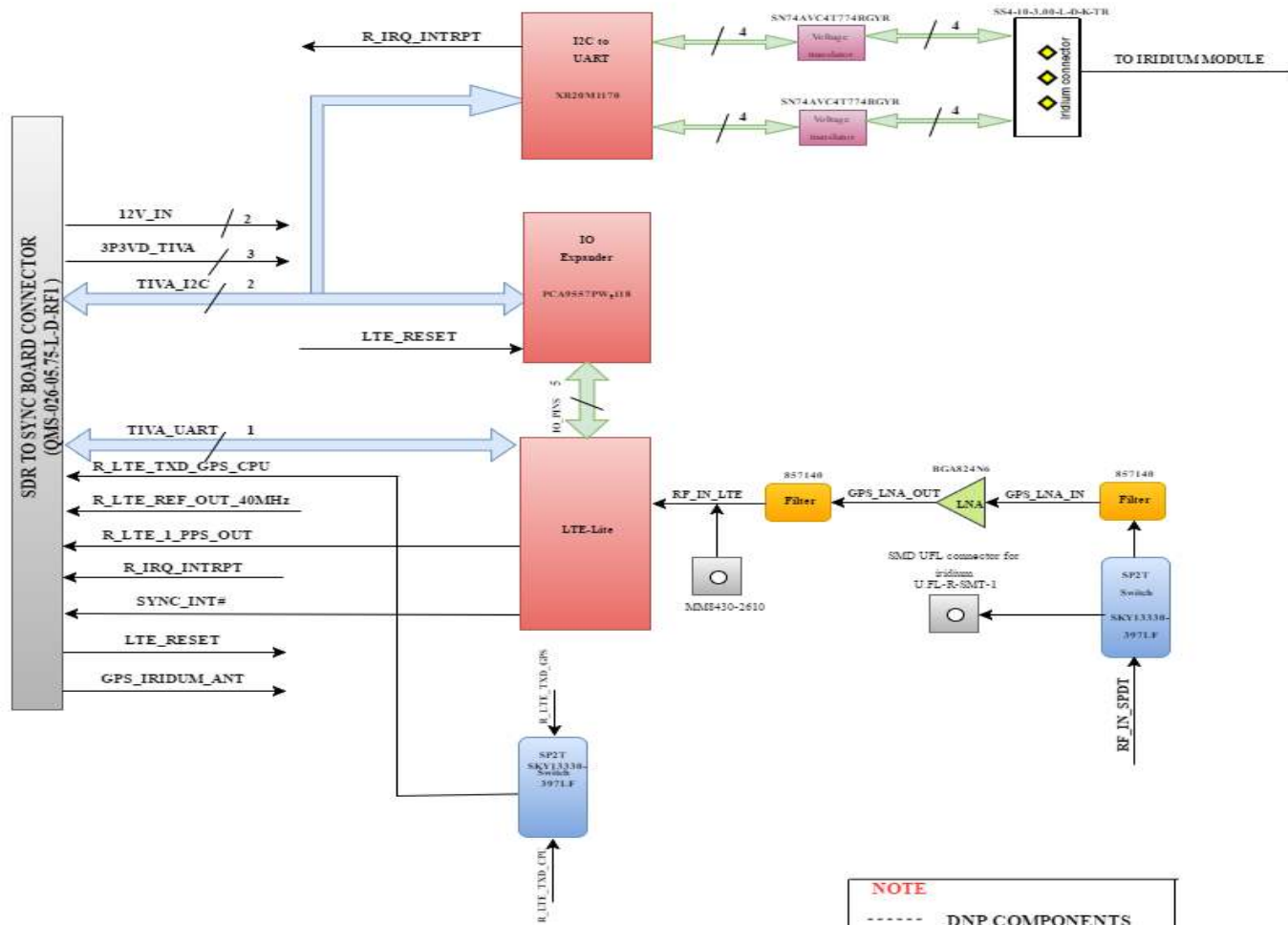


TABLE OF CONTENTS

SHEET NUMBER	SHEET NAME	SHEET NUMBER	SHEET NAME
1	INDEX PAGE		
2	SYNC BOARD BLOCK DIAGRAM		
3	SYNC BOARD POWER TREE		
4	LTE LITE MODULE		
5	IO EXPANDER		
6	POWER SUPPLY		
7	I2C TO UART TRANSLATOR		
8	UART SIGNAL ISOLATION		
9	IRIDIUM MODULE		
10	UART SIGNAL ISOLATION		
11	SYNC BOARD CONNECTOR		
12	TEST POINTS		
13	RF FRONT END		
14	TEMPERATURE SENSOR		

REVISION HISTORY			
DATE	VERSION	UPDATED BY	REMARKS
26 JAN 2016	1.00		REV A RELEASE
12 SEP 2016	2.0		LIFE-2 RELEASE
2 DEC 2016	3.0		LIFE-3 RELEASE

SYNC BOARD BLOCK DIAGRAM

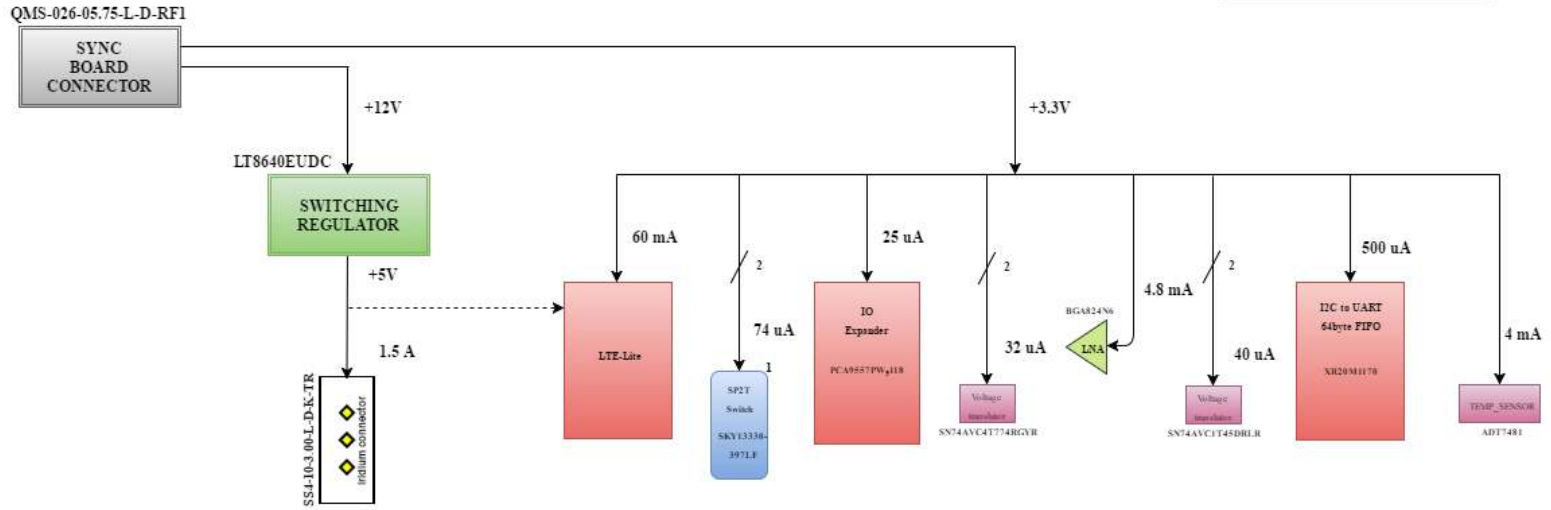


NOTE
 - - - - - DNP COMPONENTS
 ————— MOUNT COMPONENTS

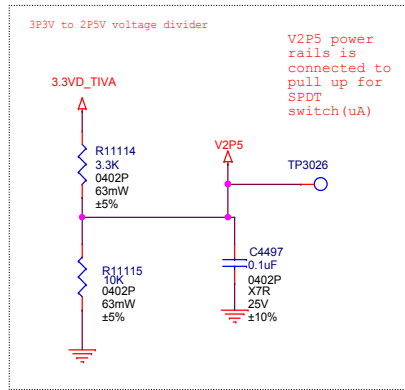
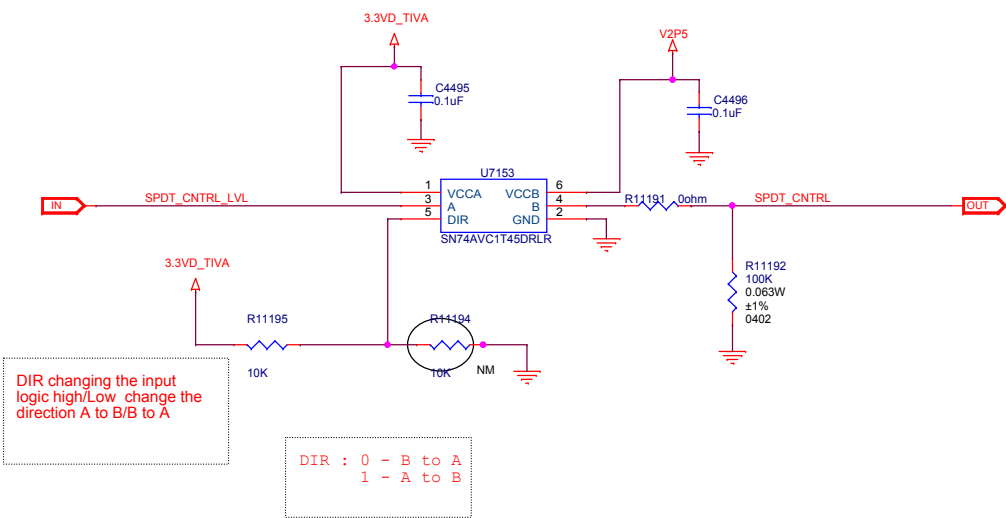
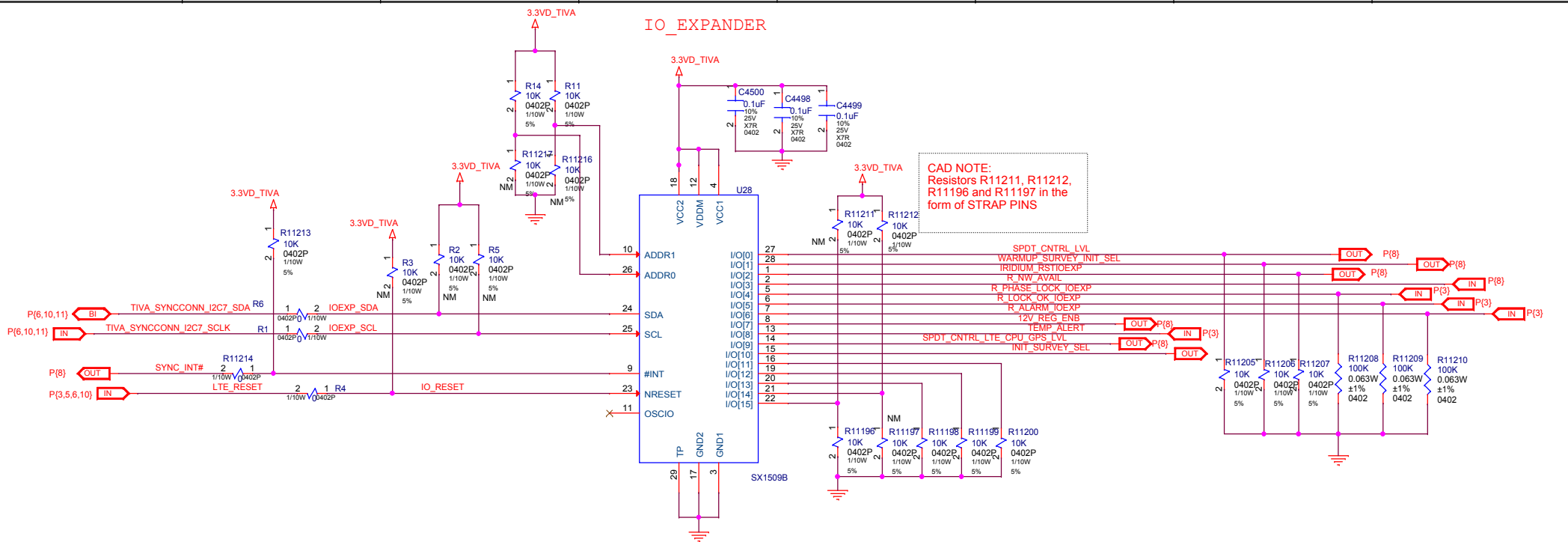
FACEBOOK CONNECT1		DOCUMENT NUMBER: 00	
TITLE: BLOCK DIAGRAM		REV: Life-3	SHEET 2 OF 14

SYNC BOARD POWER TREE

NOTE
 - - - - - DNP COMPONENTS
 ——— MOUNT COMPONENTS

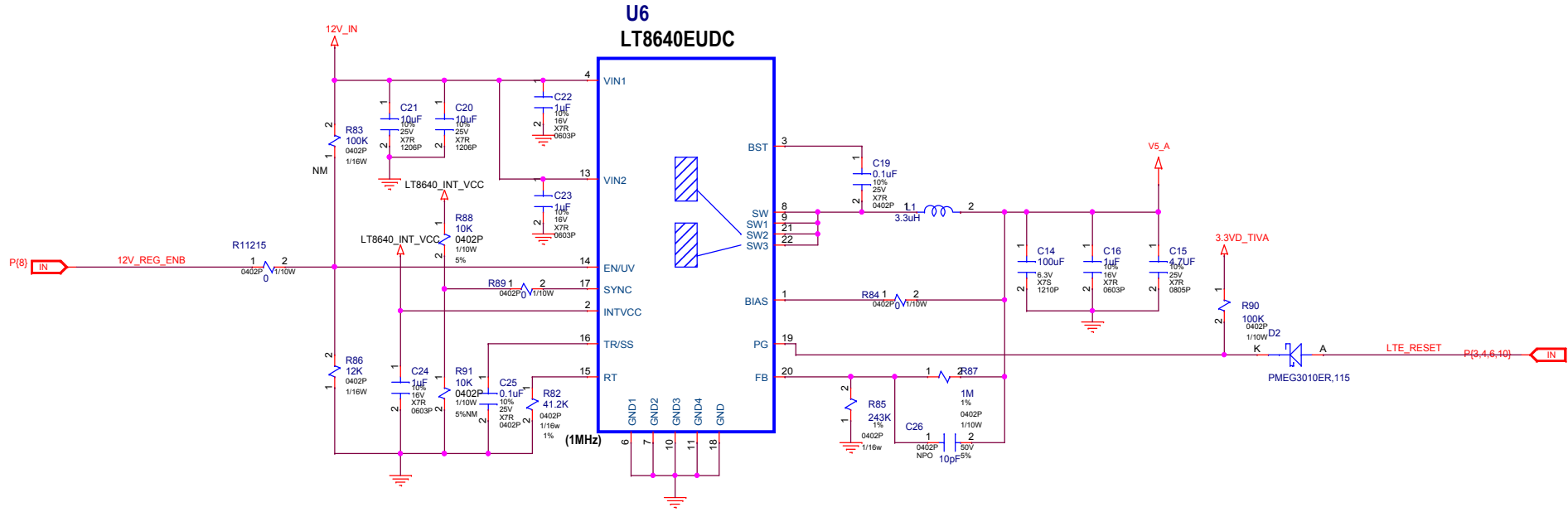


FACEBOOK CONNECT1		DOCUMENT NUMBER: 00	
TITLE: BLOCK DIAGRAM		REV: Life-3	SHEET 3 OF 14



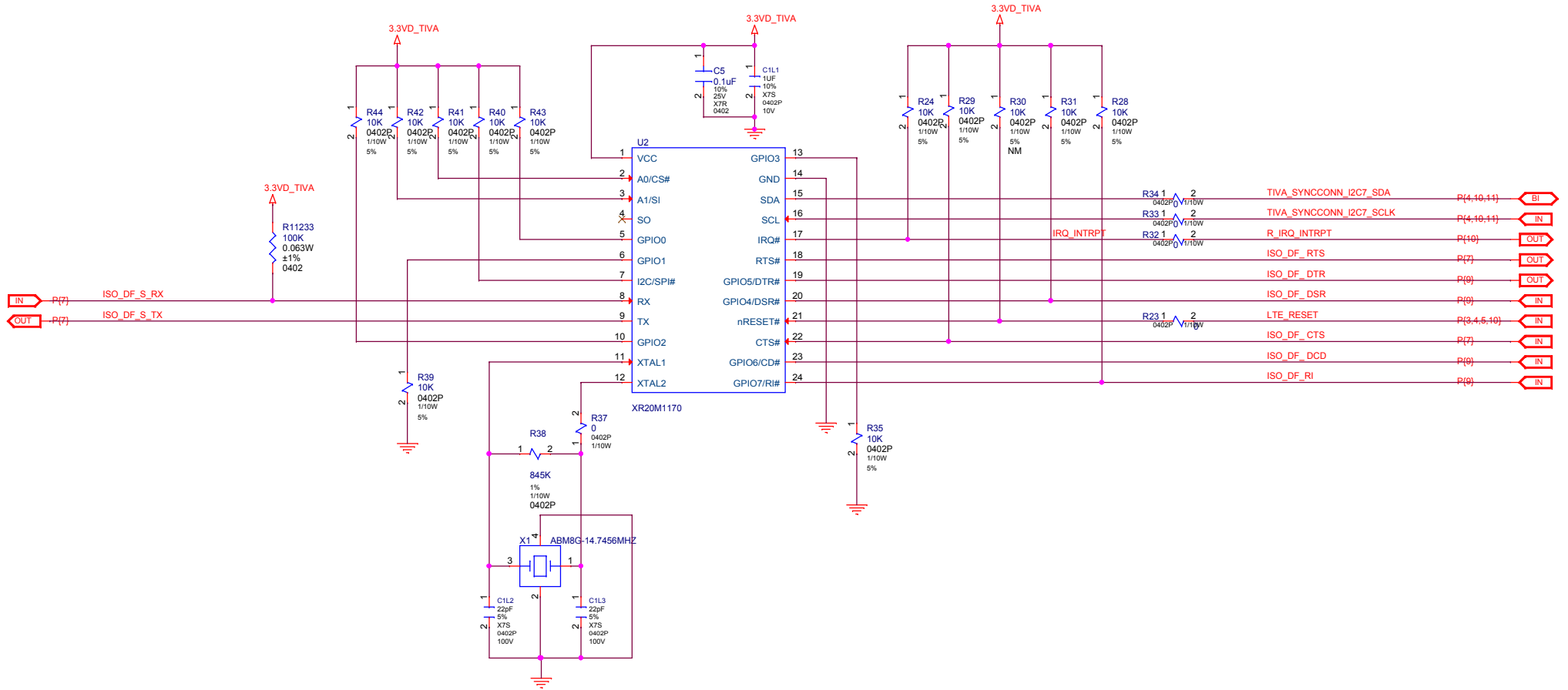
FACEBOOK CONNECT1	DOCUMENT NUMBER: 00
TITLE: IO Expander	REV: Life-3 SHEET 5 OF 14

12V_5V_REGULATOR



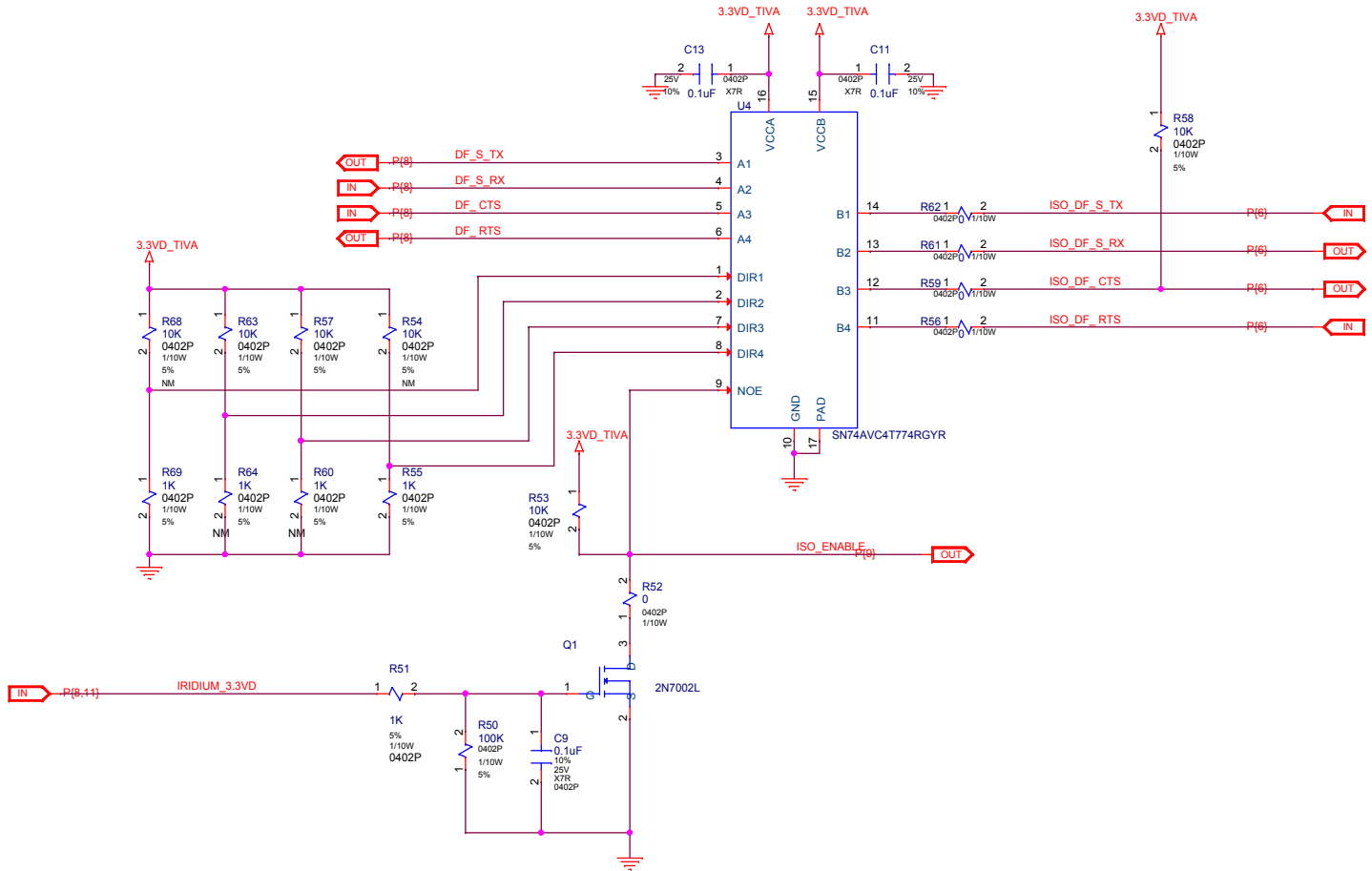
FACEBOOK CONNECT1		DOCUMENT NUMBER: 00	
TITLE: 12V TO 5V DC DC CONVERTER		REV: Life-3	SHEET 6 OF 14

I2C to UART



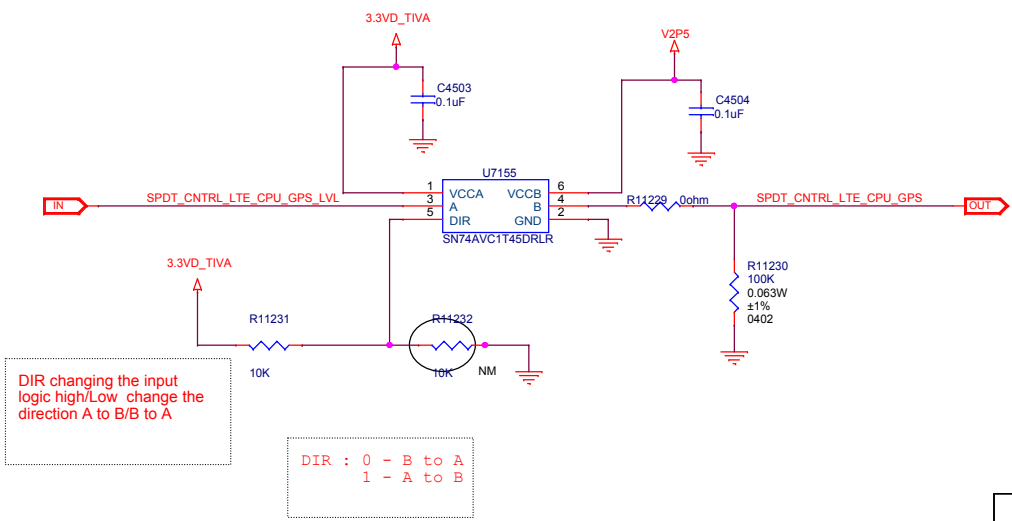
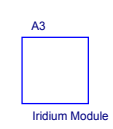
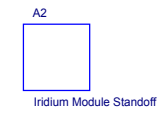
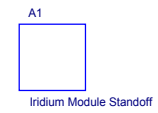
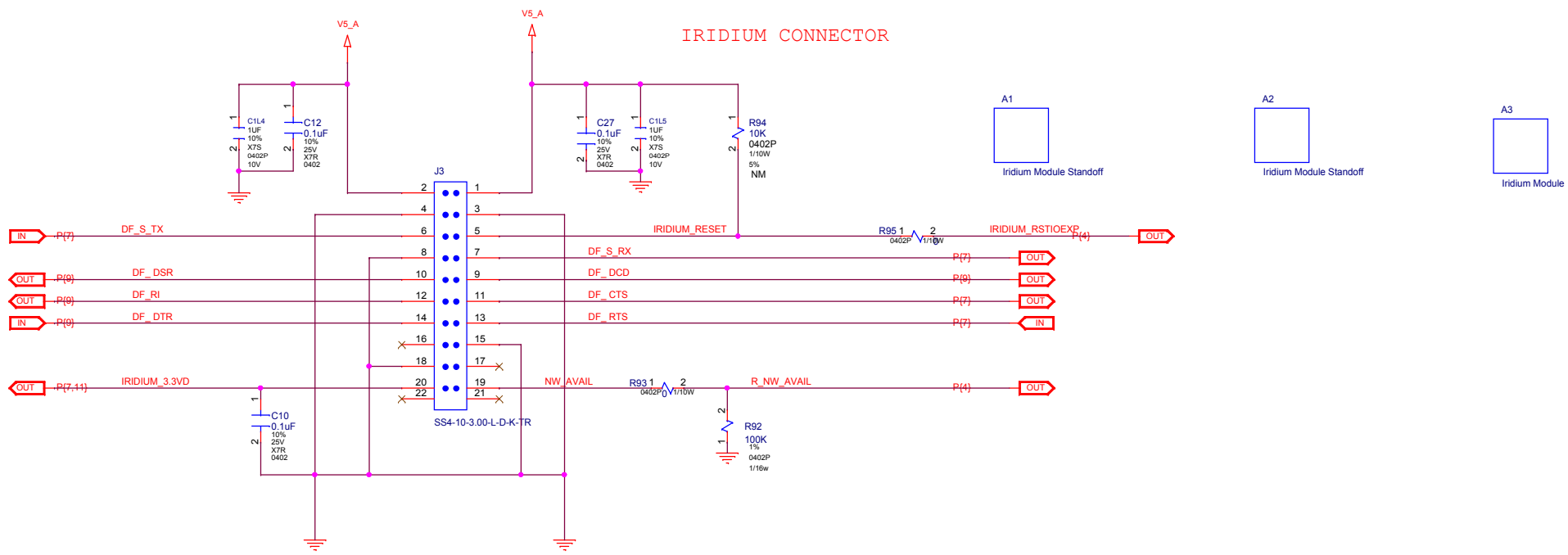
FACEBOOK CONNECT1	DOCUMENT NUMBER: 00	
TITLE: I2C TO UART	REV: Life-3	SHEET 7 OF 14

VOLTAGE TRANSLATOR - 1



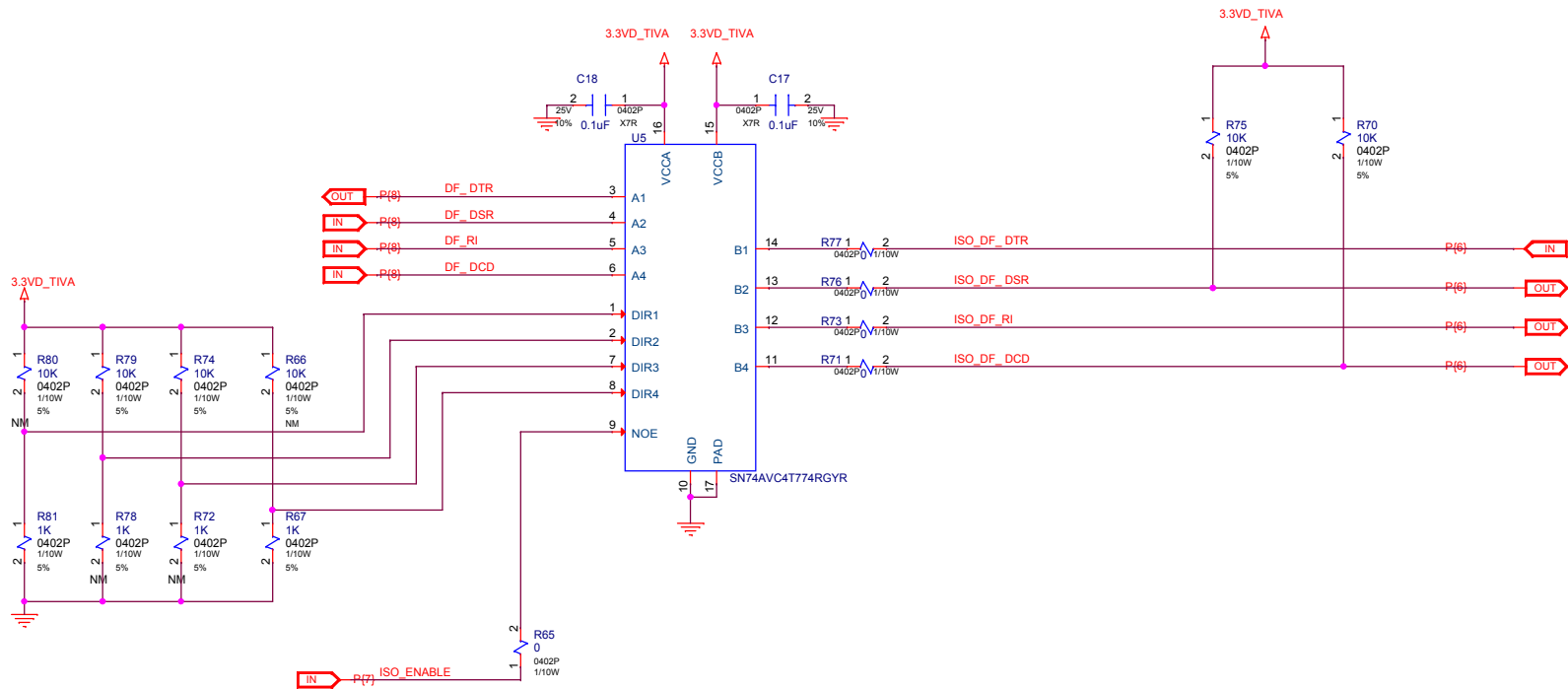
FACEBOOK CONNECT1		DOCUMENT NUMBER: 00	
TITLE: UART ISOLATION		REV: Life-3	SHEET 8 OF 14

IRIDIUM CONNECTOR



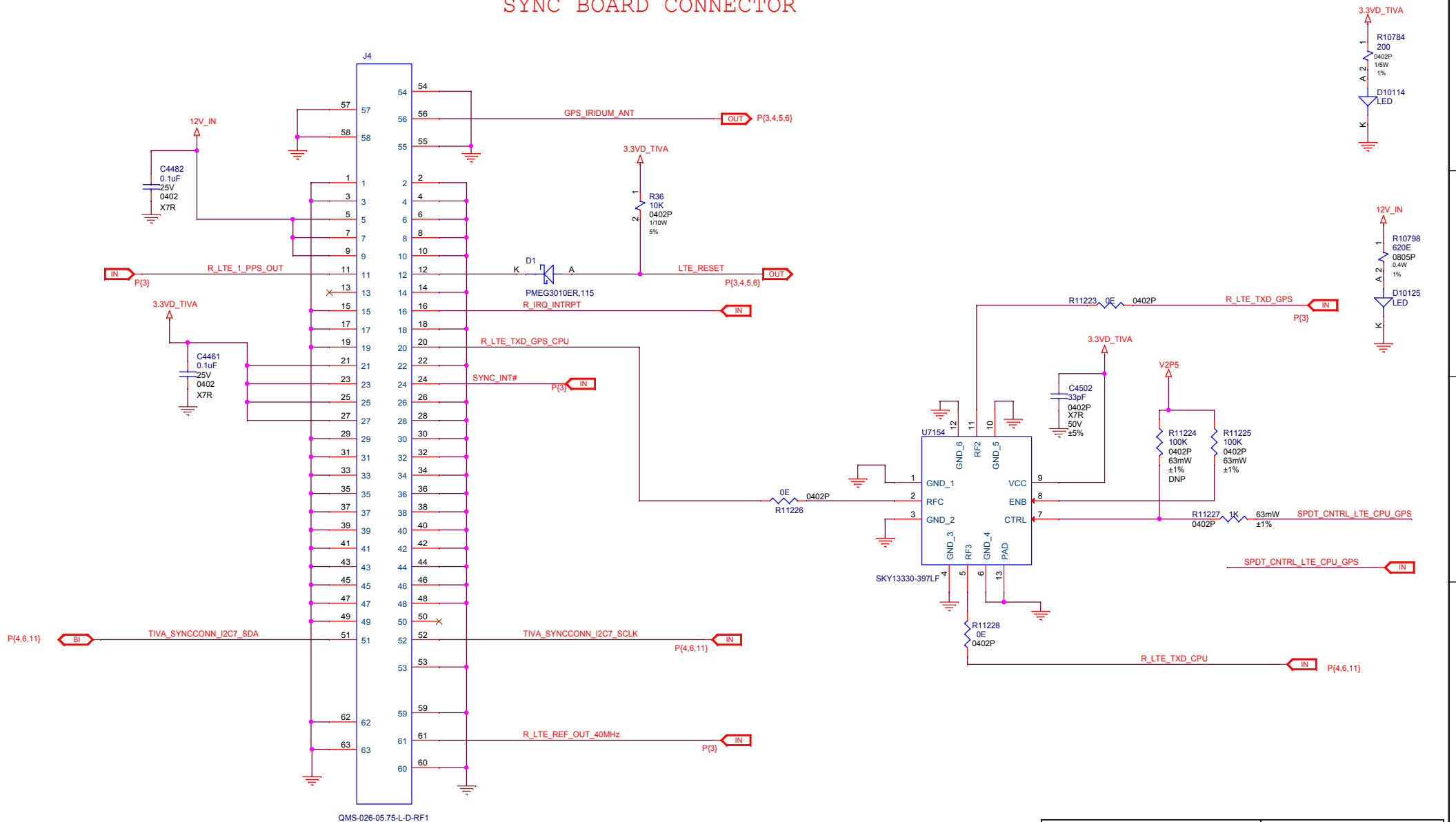
FACEBOOK CONNECT1		DOCUMENT NUMBER: 00	
TITLE: IRIDIUM MOGILE		REV: Life-3	SHEET 9 OF 14

VOLTAGE TRANSLATOR - 2

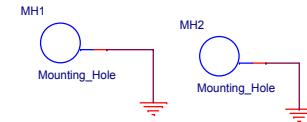
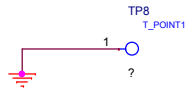
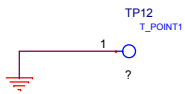
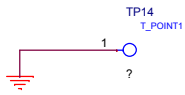
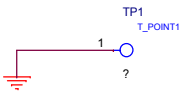
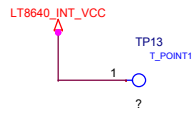
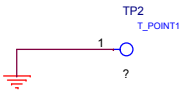
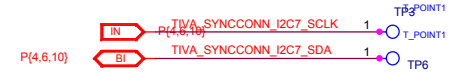
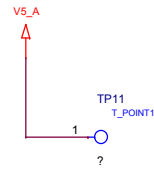
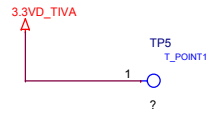
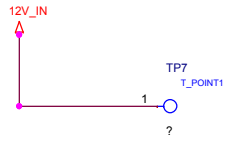


FACEBOOK CONNECT1		DOCUMENT NUMBER: 00	
TITLE: UART ISOLATION		REV: Life-3	SHEET 10 OF 14

SYNC BOARD CONNECTOR

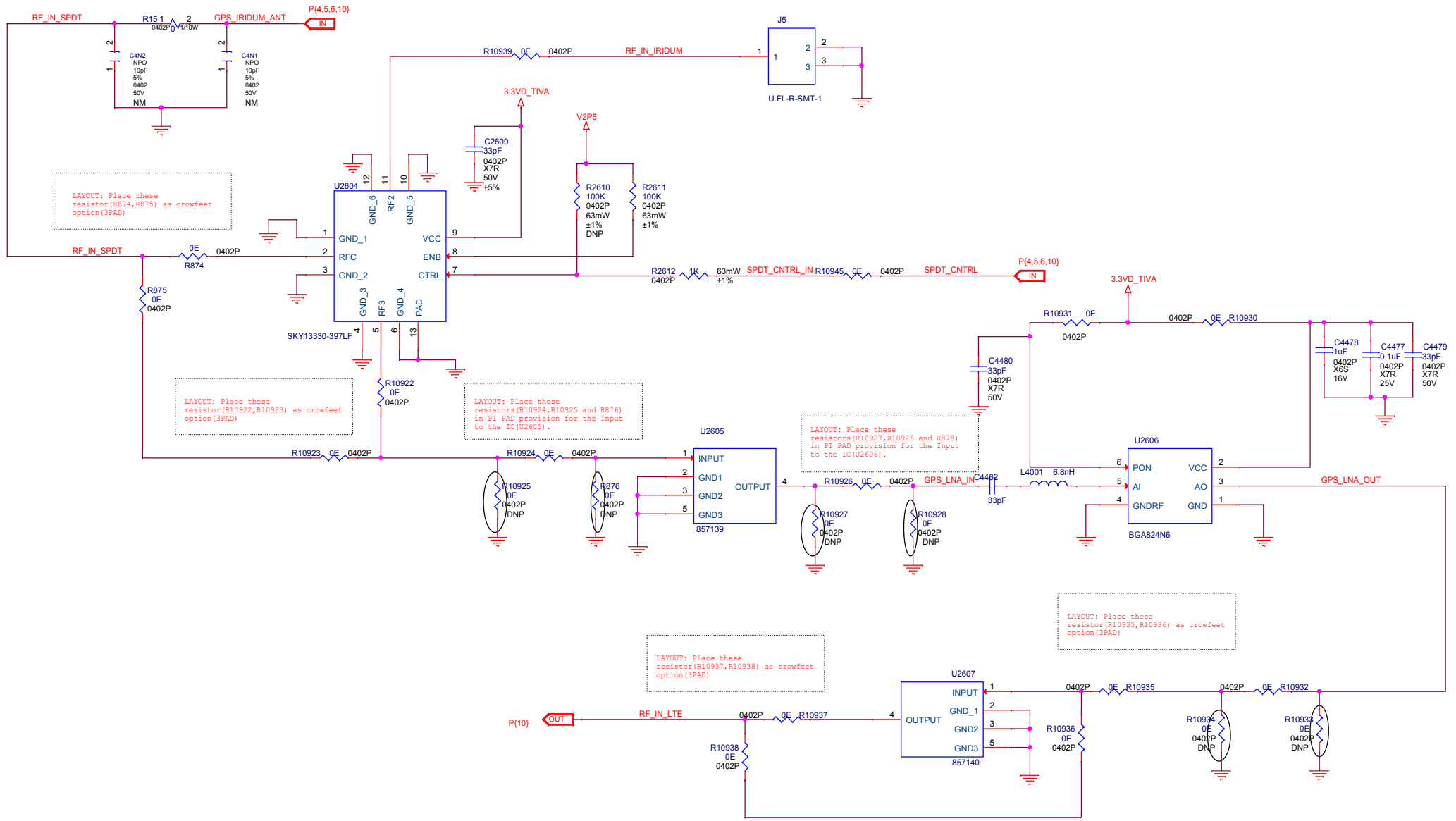


FACEBOOK CONNECT1		DOCUMENT NUMBER: 00
TITLE: SYNC CONNECTOR AND SP2T SWITCH	REV: Life-3	SHEET11 OF 14



FACEBOOK CONNECT1		DOCUMENT NUMBER: 00	
TITLE: TEST POINTS		REV: Life-3	SHEET 12 OF 14

RF_FRONT_END

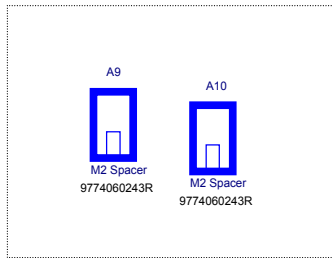
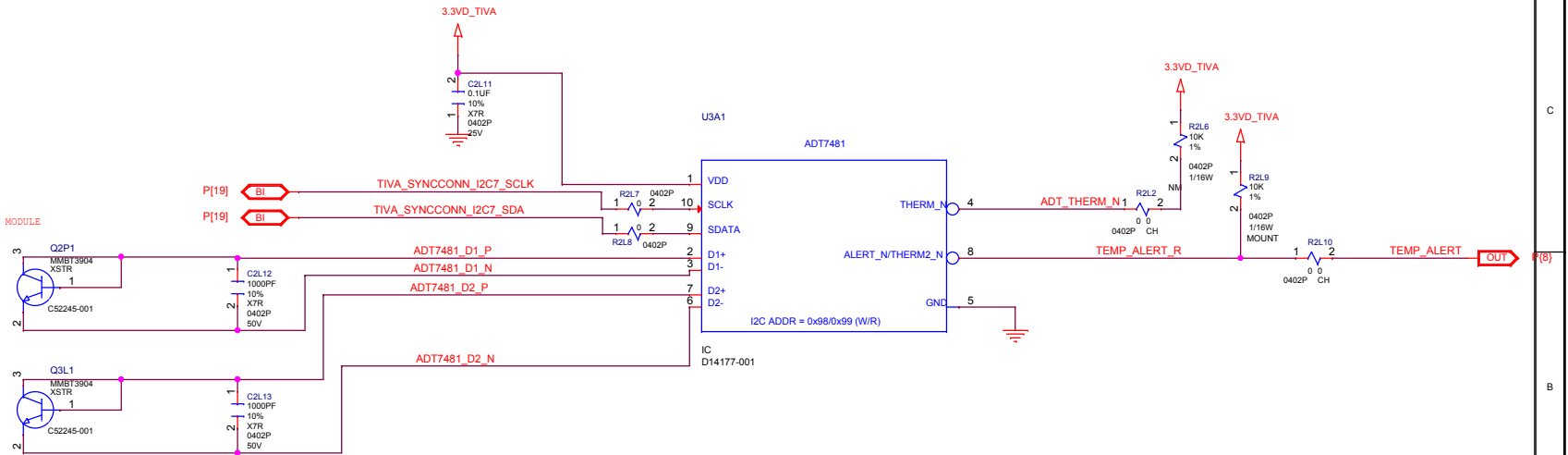


FACEBOOK CONNECT1	DOCUMENT NUMBER: 00	
TITLE: RF FRONT END	REV: Life-3	SHEET 13 OF 14

TEMPERATURE SENSOR

CAD NOTE:
PLACE Q2P1 NEAR TO LTE-LITE MODULE

CAD NOTE:
PLACE Q3L1 NEAR TO IIRIDIUM CONNECTOR



FACEBOOK CONNECT1		DOCUMENT NUMBER: 00	
TITLE: TEMP SENSOR		REV: Life-3	SHEET 14 OF 14