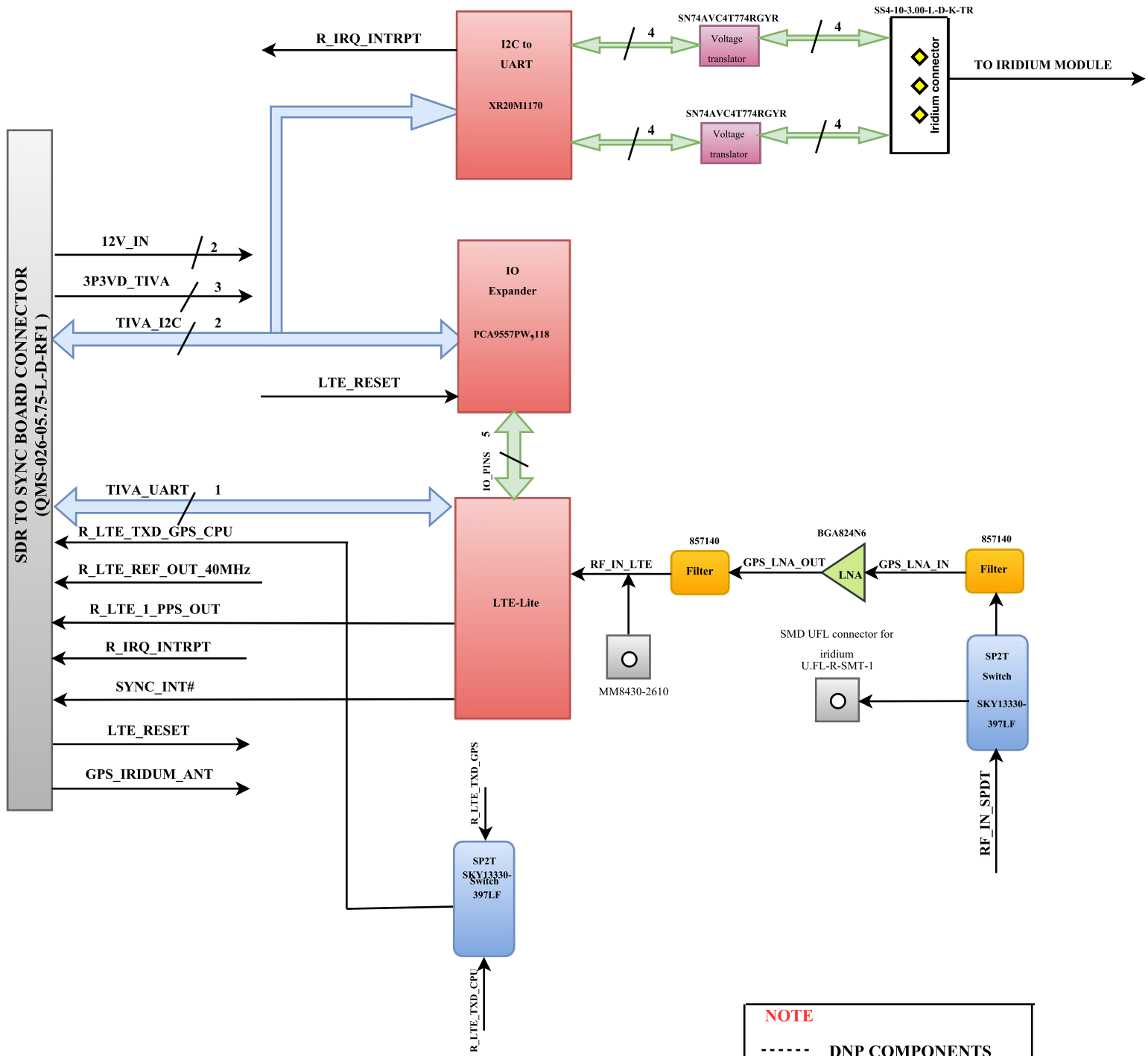


SYNC BOARD BLOCK DIAGRAM



NOTE
 - - - - - DNP COMPONENTS
 ————— MOUNT COMPONENTS