
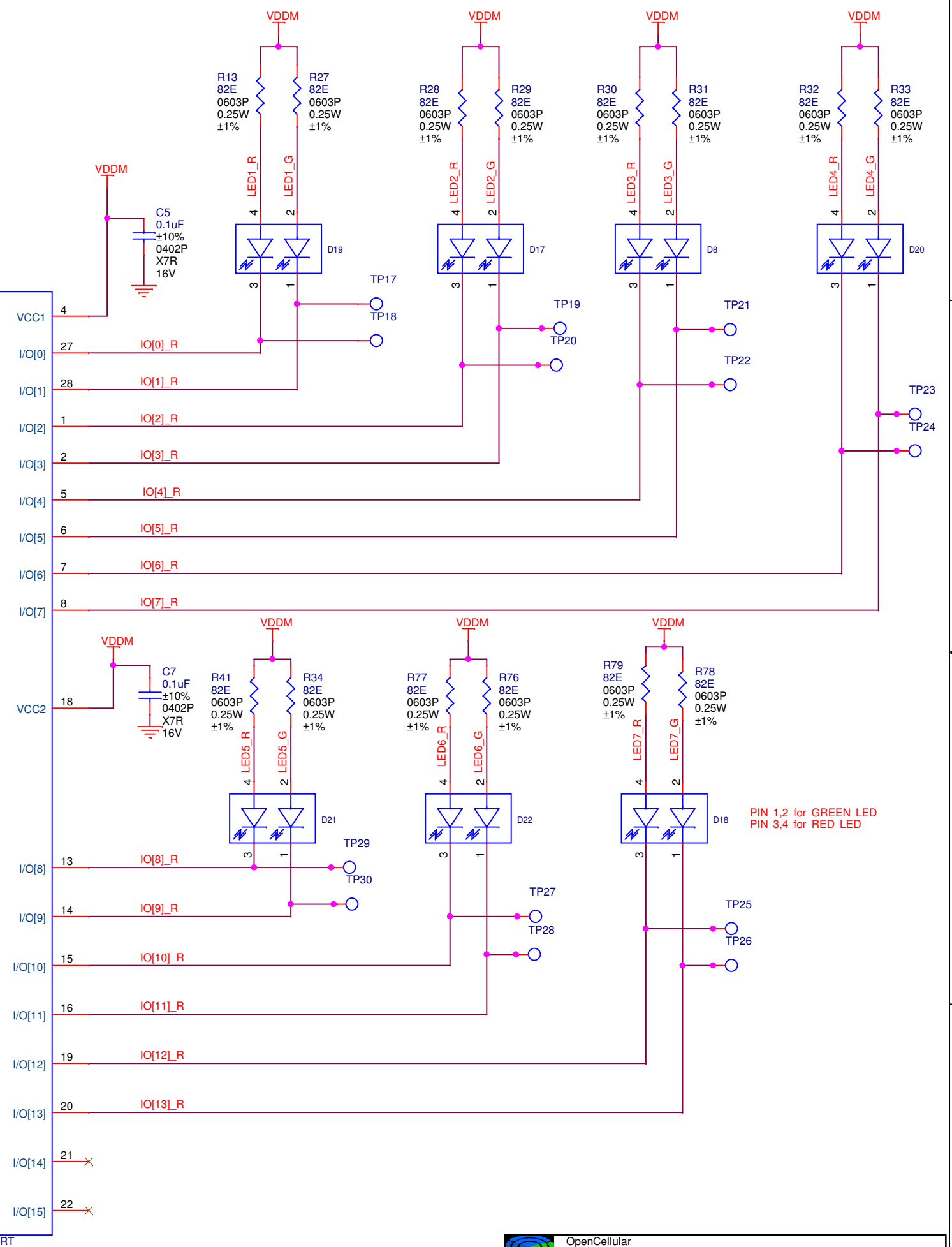
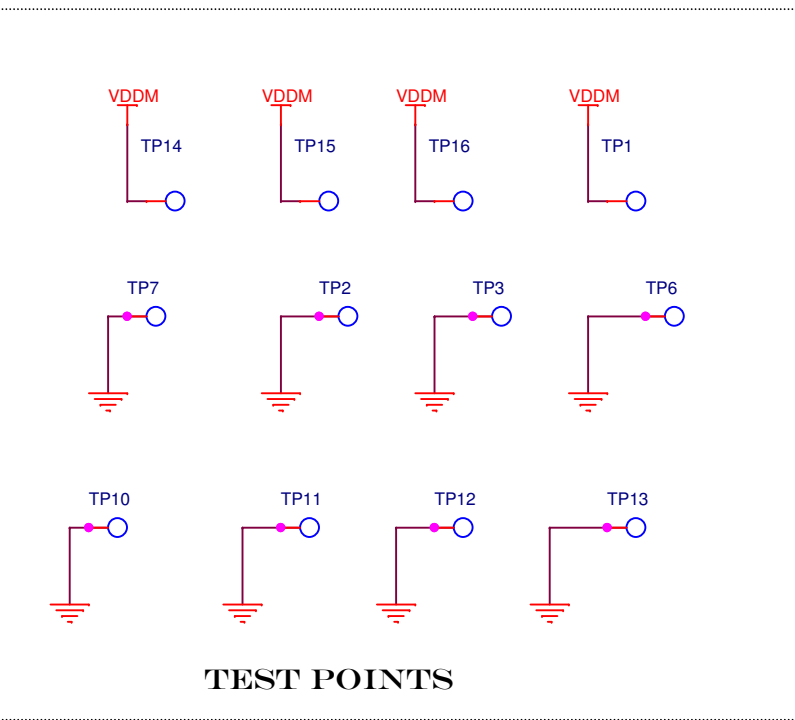
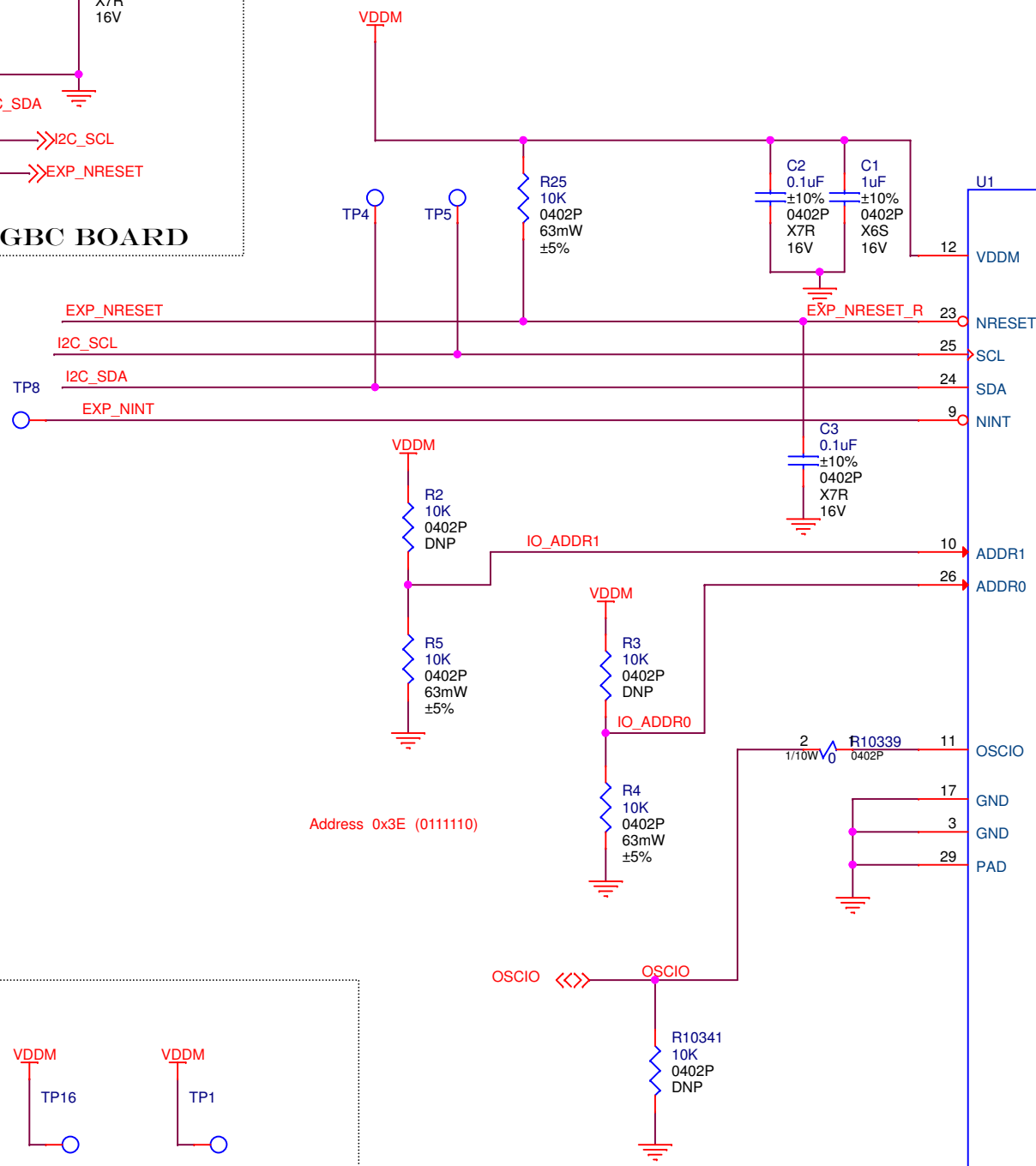
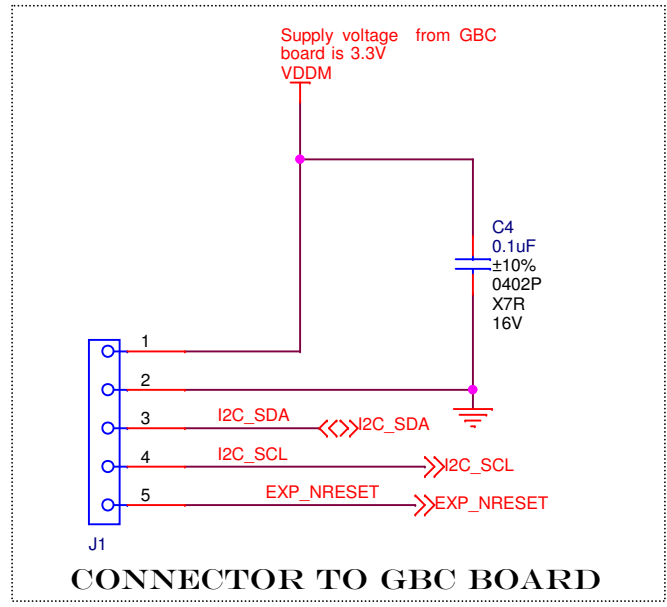


REVISION HISTORY			
DATE	VERSION	UPDATED BY	REMARKS
26 JAN 2016	1.00		REV A RELEASE
14 JUNE 2016	LIFE-2		LIFE-2 RELEASE
30 NOV 2016	LIFE-3		LIFE-3 RELEASE

 OpenCellular	
Title OC_Connect-1_LED_Life-3	
Size A3	Document Number 232-000076
Date: Wednesday, November 30, 2016 Sheet 1 of 3	
	Rev Life-3



LED'S ARE DESIGNED FOR 11MILIAMP CURRENT.
11MILIAMP CURRENT IS CONSIDERING THE DERATING @ 65 DEG
MAX POWER CONSUMPTION OF LED BOARD IS ~1.02WATTS

OpenCellular		
Title: OC_Connect-1_LED_Life-3		
Size: A3	Document Number: 232-000076	Rev: Life-3
Date: Wednesday, November 30, 2016	Sheet: 2	of 3

